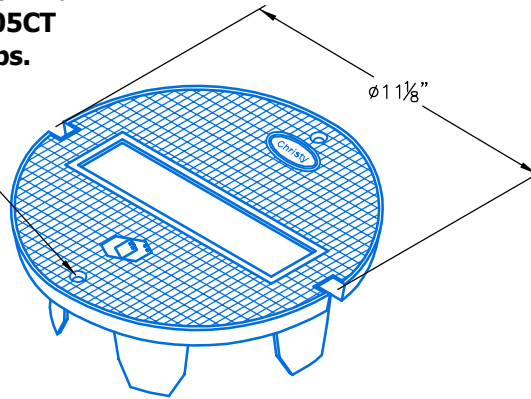


● Traffic Box is H/20 rated

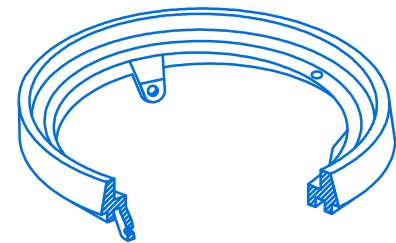
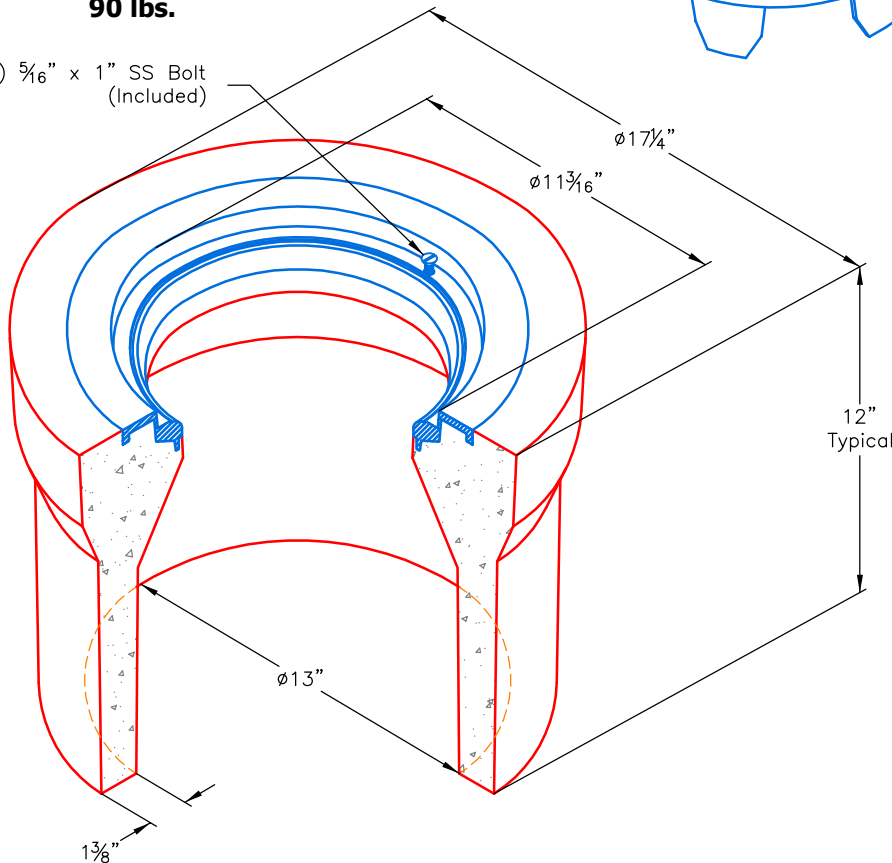
**Cast Iron Lid  
No. G05CT  
14 lbs.**

(2)  $\phi 5/16$ " Counter Sunk Bolt Holes



**Traffic Valve Box  
No. G08T BOX  
90 lbs.**

(2)  $5/16$ " x 1" SS Bolt (Included)



**Locking  
Grade Ring**

A high density reinforced concrete box used for access to underground valves. This box has a belled top to prevent settling. Bolt down recommended for high traffic areas. Approximate dimensions and weight shown. Unique locking grade rings assure permanence and quality of surface grades when streets are re-paved. Special lifting hole features incorporated in the lid design affords easy removal.

Oldcastle Ordering Code	Item	Approx. Shipping Weight	Description
G08TBOX	BOX	90 lbs.	G08T Traffic Valve Box (13" I.D. x 12" high) – 10 per pallet
G05CT	LID	14 lbs.	Cast Iron Lid
G08X12	EXTENSION	47 lbs.	12" Reinforced Concrete– 36 per pallet
G05TGR10	GRADE RING	10 lbs.	1" High cast iron
G05TGR15	GRADE RING	14 lbs.	1 1/2" High cast iron
G05TGR20	GRADE RING	18 lbs.	2" High cast iron



**Oldcastle Precast®**  
Enclosure Solutions

Phone: (800) 486-7070 Fax: (800) 486-6804  
Copyright© 2011 Oldcastle Precast Inc.

**G08T BOX**

FILE NAME: G08\_ISO

ISSUE DATE: January, 2011

[www.oldcastleprecast.com](http://www.oldcastleprecast.com)

**G08T TRAFFIC VALVE BOX  
13" I.D. x 12"**

